



1.25GBPS SX/SW DUAL PORT FIBER BYPASS MODULE

Product Description

The SR/SW Dual port fiber single bypass modules is design expressly for Intrusion Prevention System (IPS) provides complete visibility to network traffic, It also introduces a point of failure should the IPS lose power, cable fail or application freeze. The module design for PCI Express X8 interface, which means it can support 1.25Gbit/s in full duplex mode per port of data transfer rate and OM-3 Multi-mode fiber operations. SR/SW Quad port fiber bypass modules designed to be compliant digital diagnostic monitoring function: Temperature, VCC , TX optical power, TX laser bias current, and RX received optical power, The post-amplifier of the SR/SW Dual port fiber single bypass modules also includes a Loss of Signal (LOS) circuit that provides a TTL logic-high output when the received optical level is below a preset LOS Assert threshold.



Features

- Compliant with IEEE 802.3ae 1GBASE-SR
- Compliant with IEEE 802.3ae 1GBASE-SW
- Link Distances at 10.3Gbps 300m links with 50/125um OM-3 MMF Cable
- EEPROM with Series ID Function
- Quad LC Connector interface with optical Bypass Function
- Laser Class 1 Product with comply with Requirements of IEC 60825-1 and IEC 60825-2
- LED indicate operation function

Applications

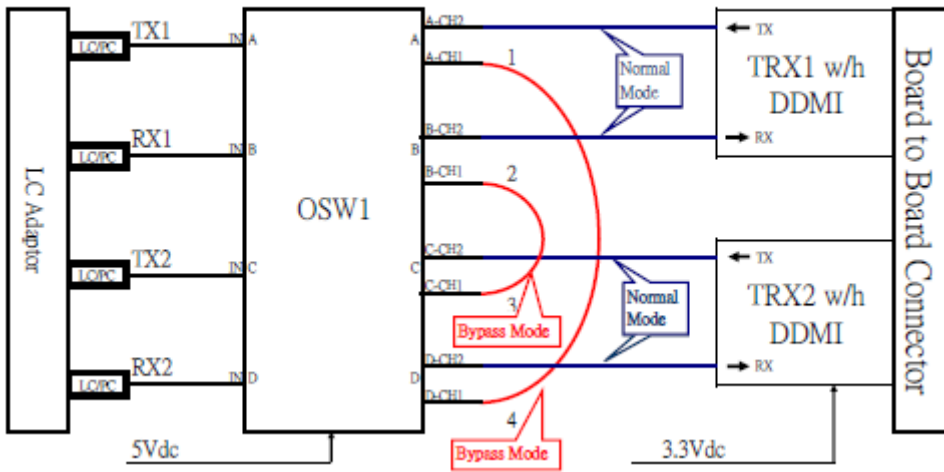
- In-Line traffic Monitoring, Analyzing and Optimization
- Intrusion Prevention System
- Quality of Service
- In-Line Security
- Load balance
- Web Acceleration Appliances

LASER SAFETY

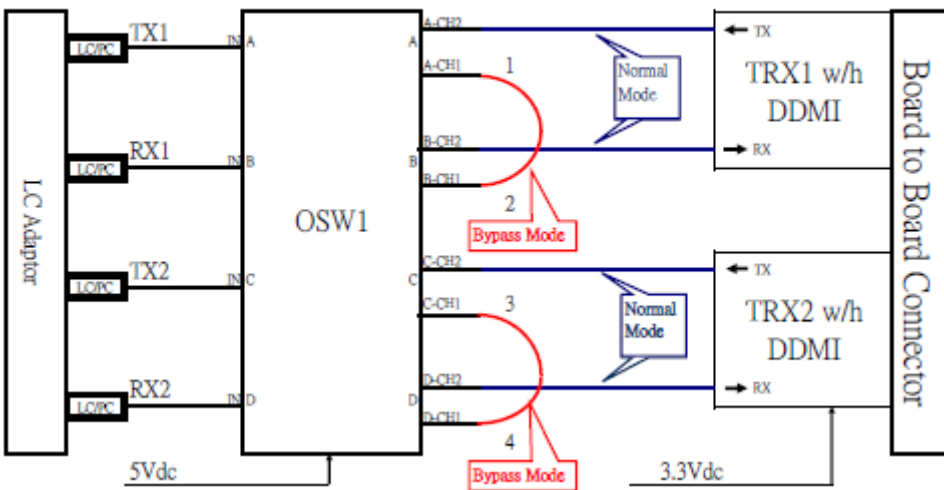
This Multi-mode Quad Port Fiber Bypass Module is a Class 1 laser product. It complies with IEC 68025 and FDA 21 CFR 1040.10 and 1040.11. The module must be operated within the specified temperature and voltage limits. The optical port of the module shall be terminated with an optical connector or with a dust plug.

SR/SW Quad Port Bypass Module – Optical Path Portion

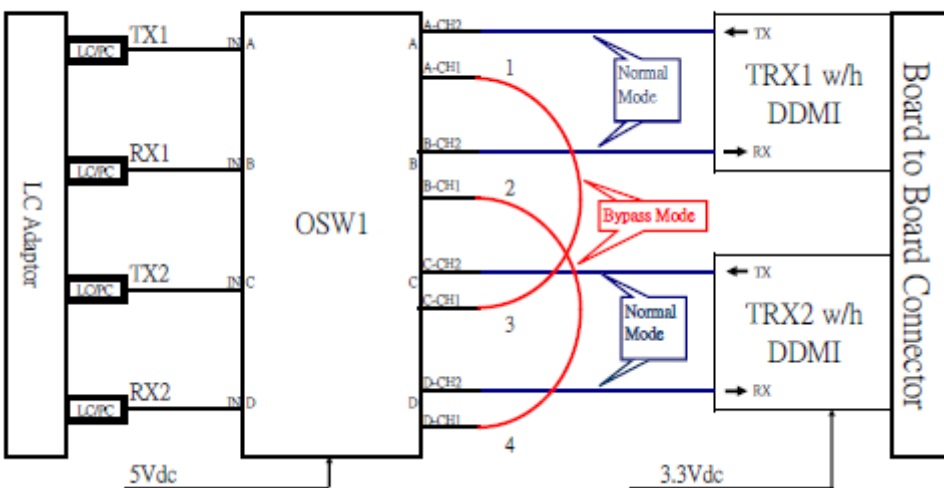
Dual Port One Bypass Path is 1<->4 & 2<->3



Dual Port One Bypass Path is 1<->2 & 3<->4



Dual Port One Bypass Path is 1<->3 & 2<->4





Absolute Maximum Ratings

Parameter	Symbol	Min.	Typ.	Max.	Unit	Note
Storage Temperature	Ts	-40		85	°C	
Supply Voltage	Vcc	0		5	V	

Recommended Operating Conditions

Parameter	Symbol	Min.	Typ.	Max.	Unit	Note
Case Operation Temperature	Ts	-5		70	°C	1
+5V Supply Voltage	Vcc5	4.75		5.25	V	Vcc5,6
+3.3V Supply Voltage	Vcc3	3.135		3.465	V	Vcc1,2,3,4
+5V Supply Current	Icc5			500	mA	Icc5,6
+3.3V Supply Current	Icc3			1200	mA	Icc1,2,3,4
Relative Humidity	—	5		85	%	2
Data Rate		1.0625	1.25		Gbps	

Note :

1. Consuming Temperature
2. Non Condensation

Electrical Characteristics

Parameter	Symbol	Min.	Typ.	Max.	Unit	Note
Transmitter						
Differential Input Impedance	Z _d		100		Ω	1
Differential Input Voltage Swing	V _{DIFF}	180		700	mV	1
Differential Input Voltage	V _{DT}	0.5		2.4	V	1
Disable Input-High	V _{DISH}	2.4		V _{cc} +0.3	V	
Disable Input-Low	V _{DISL}	0		0.8	V	
Fault Pull Up Resistor	R _{TX_FAULT}	4.7		10	KΩ	2
Fault Output-High	V _{TXFH}	2.4		V _{cc}	V	2
Fault Output-Low	V _{TXFL}	0		0.5	V	2
TX_DISABLE Asserted Time	t _{OFF}			10	μsec	
TX_DISABLE Deasserted Time	t _{ON}			1	msec	
Time to initialize, include reset of TX_FAULT	t _{init}			300	msec	
TX_FAULT from fault to assertion	t _{fault}			100	μsec	
TX_DISABLE time to reset	t _{reset}	10			μsec	
Receiver						
Differential Output Impedance	Z _d		100		Ω	1
Differential Output Voltage	V _{DR}	0.35		0.85	V	3
LOS Load Resistor	R _{RX_LOS}	4.7		10	KΩ	2
LOS Output Voltage-High	V _{LOSH}	2.4		V _{cc}	V	2
LOS Output Voltage-Low	V _{LOSL}	0		0.5	V	2



LOS Asserted Time (Transmitter off to on)	t_{A,RX_LOS}			100	μsec	4
LOS Deasserted Time (Transmitter on to off)	t_{D,RX_LOS}			100	μsec	4
Optical Bypass Switch						
Operation Voltage	V_{SW}	4.5	5.0	5.5	V	
Operation Current	I_{SW}		80	100	mA	
Latching Voltage-High	V_{LATH}	4.5	5.0	5.5	V	
Latching Voltage-Low	V_{LATL}	0		0.8	V	
Latching Resistance	R_{LAT}		125		Ω	$\pm 10\%$
Switching Time (Input Pulse $\geq 20\text{ms}$)	t_{ST}			5.0	msec	
Timing						
Series ID Clock Rate	$F_{\text{serial_clock}}$			100	KHz	DDMI function

Note :

1. Internally AC couples and terminated to 100-Ohms differential load.
2. Pull up to Vcc on Host-Board.
3. Internally AC coupled, but requires a 100-Ohms differential termination at or internal to Serializer/Deserialer.
4. These are 20%~80% values.

Optical Characteristics

Parameter	Multimode Fiber Type	Min. Modal Bandwidth (MHz-Km)		Operating Distance Range (m)		Max. Channel Insertion Loss (dB)
Operating Range 1.25Gbps	50um MMF OM3	2000		550 (max.)		4.0 (Normal Mode)
	62.5um MMF OM3	2000		300 (max.)		4.0 (Normal Mode)
Parameter	Symbol	Min.	Typ.	Max.	Unit	Note
Transmitter						
Output Optical Power (AVG.)	P_{OUT}	-9		-3	dBm	1 (62.5/125um)
Extinction Ratio	ER	9			dBm	
Center Wavelength	λ_c	840	850	860	nm	
Spectral Width (RMS)	$\Delta\lambda$			0.85	nm	
Optical Rise Time	t_r			260	ps	20% to 80% value
Optical Fall Time	t_f			260	ps	20% to 80% value
Relative Intensity Noise	RIN			-117	dB/Hz	
Output Eye	Compliant with IEEE802.3z					
Max. Pout TX-DISABLE Asserted	P_{OFF}			-35	dB	
Receiver						
Optical Input Power (Over Load)	P_{IN1}	-3.0			dBm	1 (62.5/125um)
Sensitivity (AVG.) (BER<10E-12 and PRBS=2 ⁷ -1)	P_{IN2}			-17	dBm	1 (62.5/125um)
Center Wavelength	λ_c	840	850	860	nm	



LOS Asserted (AVG.)	P_A			-17	dBm	
LOS De-Asserted (AVG.)	P_D	-30			dBm	
LOS Hysteresis	$P_A - P_D$	0.5		3.0	dB	
Optical Bypass Switch						
Center Wavelength	λ_c	670	850	980	nm	
Insertion Loss (Normal Mode)	IRL	2.0		4.0	dB	1 (50/125um)
Insertion Loss (Bypass Mode)	IRL	2.0		4.0	dB	2 (50/125um)
Return Loss	ORL	30			dB	1 (50/125um)

Note :

1. Normal Mode (Bypass Mode Off).
2. Bypass Mode (Normal Mode Off).